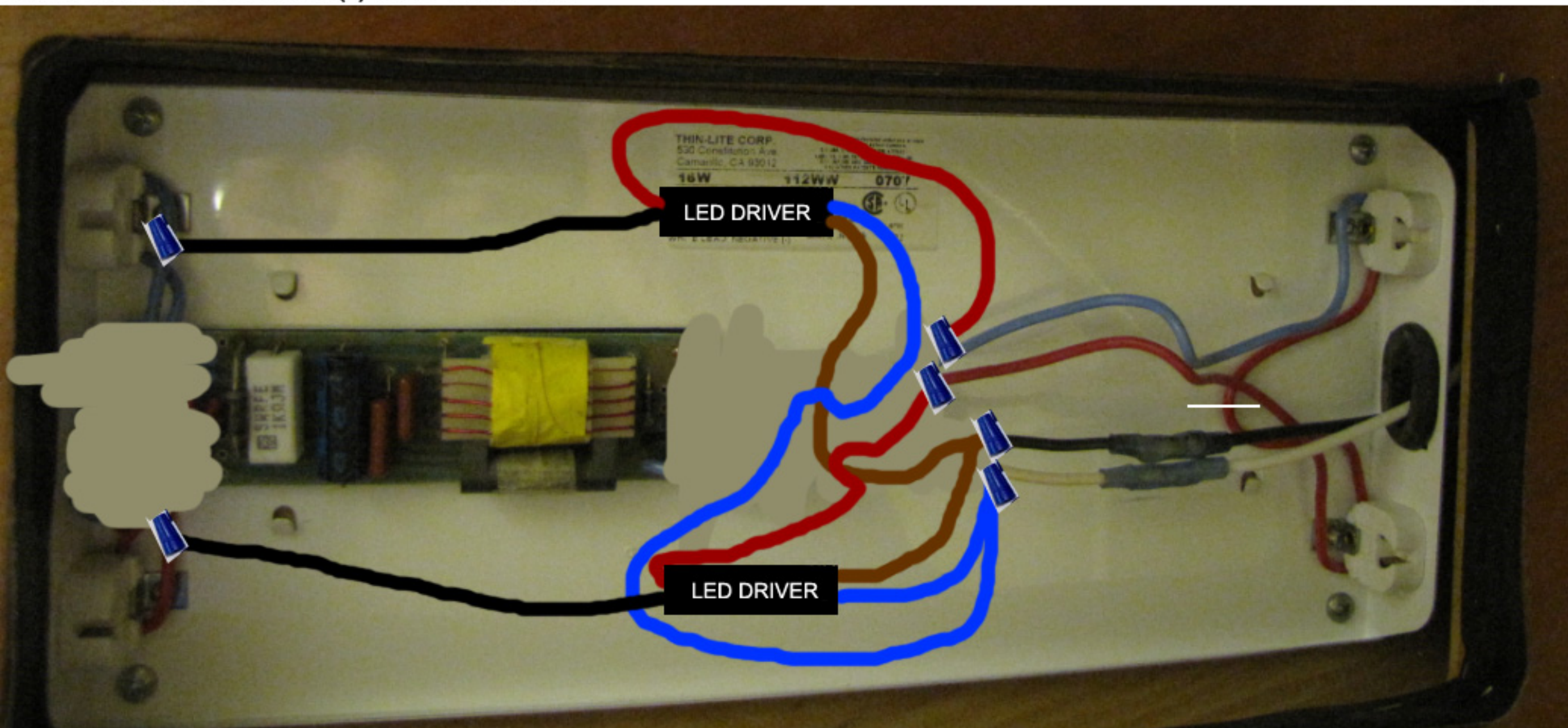


Make this the Ground (-) side of fixture

Make this the power (+) side



1. Cut all wires from ballast.
2. Cut red jumper wire on + side of fixture that goes between 2 socket and tape both ends.
3. On - side of fixture tape off one wire from each socket, you only need one.
4. Connect wires as shown with wirenuts
5. Make sure one driver is for one tube, not crossed over wires